

DP10F/DP20F

Basic systems 9 W/18 W

The innovative pulsed fibre lasers offer unprecedented efficiency and compactness. The small dimensions of the laser head, deflector unit and supply unit make integration much easier in, for example, small machines. The high level of pulse-to-pulse stability during material processing is a further advantage of this new type of light source.

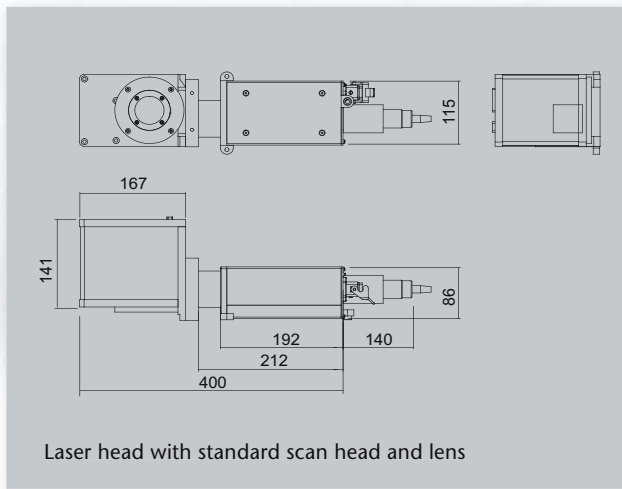
Advantages

- Long working life of the laser diodes means little servicing
- Small compact air-cooled lasers
- Excellent laser beam quality
- Output power 9 W/18 W
- Single-phase mains connection

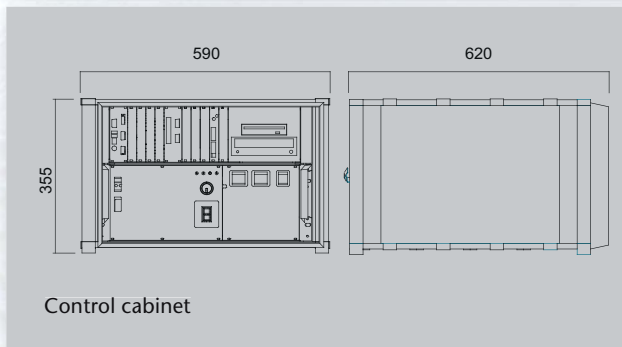


DP10F/DP20F

Basic systems 9 W/18 W



Laser head with standard scan head and lens



Control cabinet

- ¹⁾ without F-Theta lens
- ²⁾ with OEM-Components

System

	DP10F	DP20F
Marking field	110 x 110 mm ² (f=160 mm)	
Marking speed	up to 5000 mm/s up to 500 characters/s	
Line width	typical 50 µm	

Laser

Laser type	Pulsed Yb Fiber Laser, 1060 -1070 nm, diode pumped	
Power (QS)	typical 9 W (20 kHz)	typical 18 W (20 kHz)
Power stability	+/- 1 %	
Pulse frequency	20 - 100 kHz	
Pulse energy	0,45 mJ (20 kHz)	0,9 mJ (20 kHz)
Pulse width	110 ns (20 kHz)	
Laser safety	Laser class 4	
Output fiber cable length	4 m	2 m

Control

PC	CompactPCI-PC	
Operating system	MS Windows XP	
Laser control	FOBAGRAF with Import functions of plt/dwg/dxf/ai/jpg/tif/pcx/bmp u.a.	
Interfaces	serial, digital I/O, Ethernet, USB	

Installation

Electrical	L/N/PE, AC 100 - 138 V, 187 - 240 V, adjustable, 50/60 Hz	
Power consumption	typical 300 W	typical 600 W
Cooling system	forced air	
Temperature	15 - 40 °C	
Humidity	90 % (up to max. 20 °C) 30 % (up to max. 40 °C) non-condensing	
Weight	Laser head approx. 5 kg ¹⁾ OEM-Components approx. 30 kg cabinet approx. 45 kg ²⁾	
Degree of protection	IP 43 (cabinet)	

Options

Pointer	Adjustment aid
Scan heads	
Scan lens	

Subject to technical alterations, Dimensions without obligation 2006-09

FOBA®

Laser Marking + Engraving

A Virtek Company



em·pi·es
Master·Part·Systems



EUROPE

FOBA Technology + Services GmbH
www.foba.de
sales@foba.de

Postfach 15 60
D-58465 Lüdenscheid
Germany

Tel. +49 2351 996-0
Fax +49 2351 996-155

NORTH & AND SOUTH AMERICA

Virtek
www.virtek.ca
fobasales@virtek.ca

785 Bridge Street
Waterloo, ON N2V 2K1
Canada

Tel. +1 800 684-7835 or 519 746-7190
Fax +1 519 746-3383

GREECE

em-pi-es
www.em-pi-es.com
info@em-pi-es.com

Nausis 77, Evosmos
56224 Thessaloniki, Greece

Tel. +30 2310 7780-83
Fax +30 2310 7780-65
Tel. +30 210 6856-562 (Athens)

