

DP15

Basic system 15 W

With the new DP 15 system, we are showing you two innovations which point the way to the future. The compact diode-pumped beam source guarantees 15 W of laser output. In addition, the control concept, on the basis of high-power RISC power PC's, allows, among other features, real-time processing of the laser control.

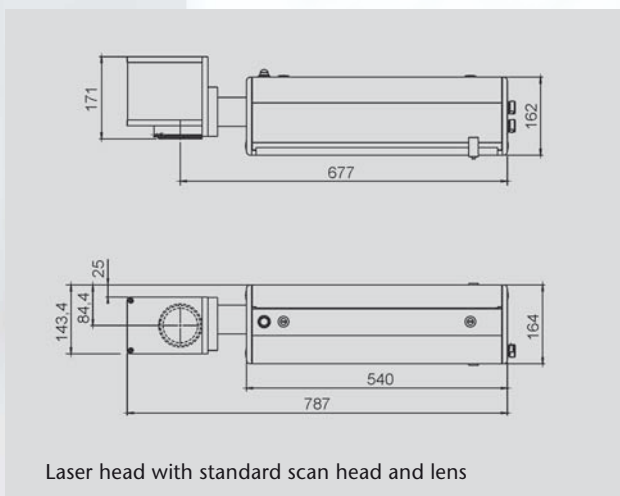
Advantages

- Output power 15 Watt (CW)
- High laser beam quality
- No external cooling water
- Long working life of the laser diodes means little servicing
- Maximum resolution, distortion-free beam guidance

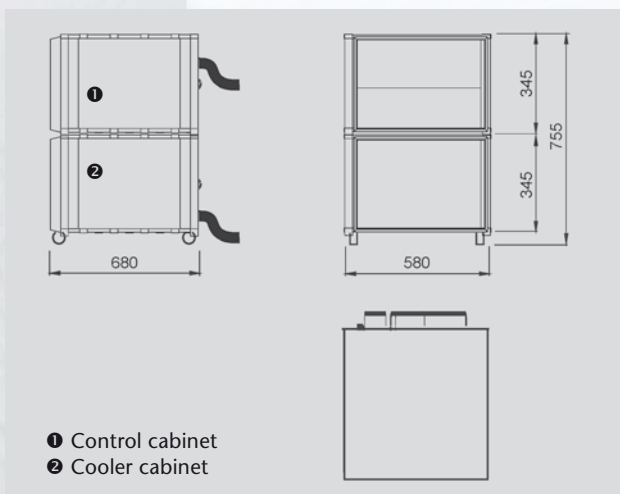


DP 15

Basic system 15 W



Laser head with standard scan head and lens



1 Control cabinet
2 Cooler cabinet

System

Marking field	110 x 110 mm ² (f=160 mm)
Marking speed	up to 5000 mm/s up to 500 characters/s
Line width	100 µm (optionally 50 µm)

Laser

Laser type	Nd:YAG, 1064 nm, diode pumped
Power (CW)	typical 15 W
(QS)	typical 7 kW/pulse (10 kHz)
Power stability	+/- 1.5 % (CW) +/- 5 % (QS, up to 8 kHz)
Output modes	Continuous wave operation (CW) Pulsed operation (QS, 0.1 - 65 kHz) Mixed operation (parameterizable)
Pulse energy	5 mJ (1 kHz)
Pulse width	110 ns (20 kHz)
Aperture	8 different diameters

Control

PC	CompactPCI-PC
Operating system	MS Windows XP
Laser control	FOBAGRAF with Import functions of plt/dwg/dxf/ai/jpg/tif/pcx/bmp ...
Interfaces	serial, digital I/O, Ethernet, USB

Installation

Electrical	1/N/PE, AC 230 V, ± 10%, 50/60 Hz
Power consumption	typical 1.6 kW
Cooling	Water/air cooler
Temperature	5 - 40 °C
Humidity	90 % (up to max. 20 °C) 30 % (up to max. 40 °C) non-condensing
Weight	Laser head approx. 15 kg ¹⁾ Control cabinet approx. 60 kg ²⁾ Cooler cabinet approx. 60 kg ²⁾
Degree of protection	Control-/Cooler cabinet IP 43 (IP54 ³⁾) Laser head IP 54
Safety	Class IV Laser

Options

Pointer	Adjustment aid
Scan head	
Changeable lens	100 mm/163 mm/254 mm/420 mm

¹⁾ without F-Theta lens

²⁾ with OEM-Components

³⁾ optionally

FOBA®

Laser Marking + Engraving

A Virtek Company

EUROPE

FOBA Technology + Services GmbH
www.foba.de
sales@foba.de

Altenaer Straße 170
D-58513 Lüdenscheid
Germany

Tel. +49 23 51 996-0
Fax +49 23 51 996-155

NORTH & SOUTH AMERICA

Virtek
www.virtek.ca
fobasales@virtek.ca

785 Bridge Street
Waterloo, ON N2V 2K1
Canada

Tel. +1 800 684-7835 or 519 746-7190
Fax +1 519 746-3383

GREECE

em-pi-es
www.em-pi-es.com
info@em-pi-es.com

Nausis 77, Evosmos
56224 Thessaloniki

Tel. +30 2310 7780-83
Fax +30 2310 7780-65
Tel. +30 210 6856-562 (Athens)

 **em·pi·es**
Master·Part·Systems

Your local agency

