

DP50

Basic system 50 W

In the field of Nd:YAG lasers, FOBA supplies basic systems with a power range of 15 to 100 Watts.

Basic systems are suitable for universal use in machine workplaces, manufacturing lines or special machines.

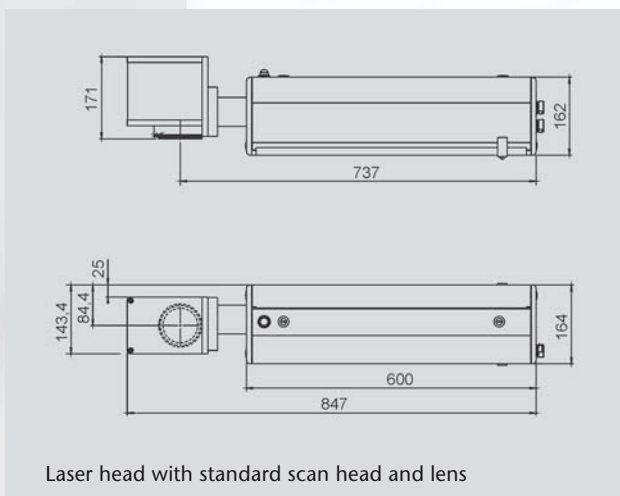
Advantages

- Output power 50 Watt (CW)
- High laser beam quality
- Compact design means easy integration
- No external cooling water
- Long working life of the laser diodes means little servicing
- Maximum resolution, distortion-free beam guidance

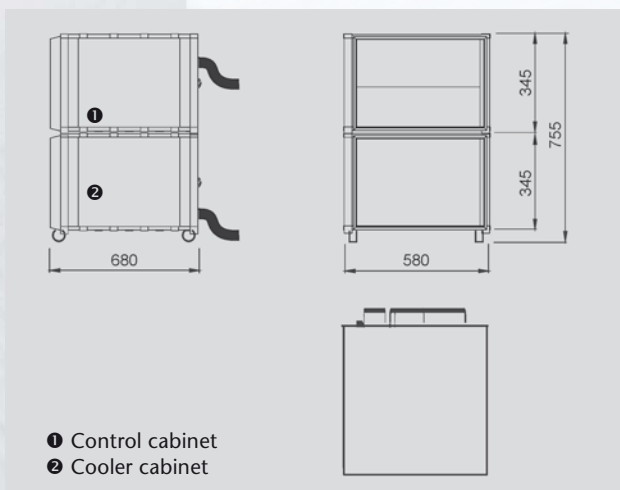


DP 50

Basic system 50 W



Laser head with standard scan head and lens



1 Control cabinet
2 Cooler cabinet

System

| | |
|---------------|---|
| Marking field | 110 x 110 mm ² (f=160 mm) |
| Marking speed | up to 5000 mm/s up to 500 characters/s |
| Line width | 100 µm (optionally 50 µm) |

Laser

| | |
|-----------------|--|
| Laser type | Nd:YAG, 1064 nm, diode pumped |
| Power (CW) | typical 50 W |
| (QS) | typical 15 kW/pulse (10 kHz) |
| Power stability | +/- 1.5 % (CW) +/- 5 % (QS, up to 8 kHz) |
| Output modes | Continuous wave operation (CW) Pulsed operation (QS, 0.1 - 65 kHz) Mixed operation (parameterizable) |
| Pulse energy | 10 mJ (1 kHz) |
| Pulse width | 70 ns (1 kHz) |
| Aperture | 8 different diameters |

Control

| | |
|------------------|---|
| PC | CompactPCI-PC |
| Operating system | MS Windows XP |
| Laser control | FOBAGRAF with Import functions of plt/dwg/dxf/ai/jpg/tif/pcx/bmp ... |
| Interfaces | serial, digital I/O, Ethernet, USB |

Installation

| | |
|----------------------|---|
| Electrical | 1/N/PE, AC 230 V, ± 10%, 50/60 Hz |
| Power consumption | typical 2.3 kW |
| Cooling | Water/air cooler |
| Temperature | 5 - 40 °C |
| Humidity | 90 % (up to max. 20 °C) 30 % (up to max. 40 °C) non-condensing |
| Weight | Laser head approx. 21 kg ¹⁾ Control cabinet approx. 60 kg ²⁾ Cooler cabinet approx. 60 kg ²⁾ |
| Degree of protection | Control-/Cooler cabinet IP 43 (IP54 ³⁾) Laser head IP 54 |
| Safety | Class IV Laser |

Options

| | |
|-----------------|-----------------------------|
| Pointer | Adjustment aid |
| Scan head | |
| Changeable lens | 100 mm/163 mm/254 mm/420 mm |

¹⁾ without F-Theta lens

²⁾ with OEM-Components

³⁾ optionally

FOBA®

Laser Marking + Engraving

A Virtek Company

EUROPE

FOBA Technology + Services GmbH
www.foba.de
sales@foba.de

Altenaer Straße 170
D-58513 Lüdenscheid
Germany

Tel. +49 23 51 996-0
Fax +49 23 51 996-155

NORTH & SOUTH AMERICA

Virtek
www.virtek.ca
fobasales@virtek.ca

785 Bridge Street
Waterloo, ON N2V 2K1
Canada

Tel. +1 800 684-7835 or 519 746-7190
Fax +1 519 746-3383

GREECE

em-pi-es
www.em-pi-es.com
info@em-pi-es.com

Nausis 77, Evosmos
56224 Thessaloniki

Tel. +30 2310 7780-83
Fax +30 2310 7780-65
Tel. +30 210 6856-562 (Athens)

 **em·pi·es**
Master·Part·Systems

Your local agency

